

# RCEL003

## Electric Actuators

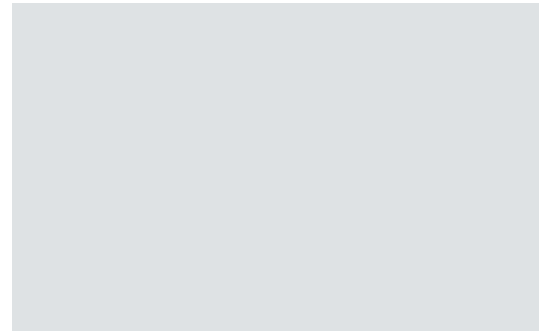
## Technical Data

### Performance

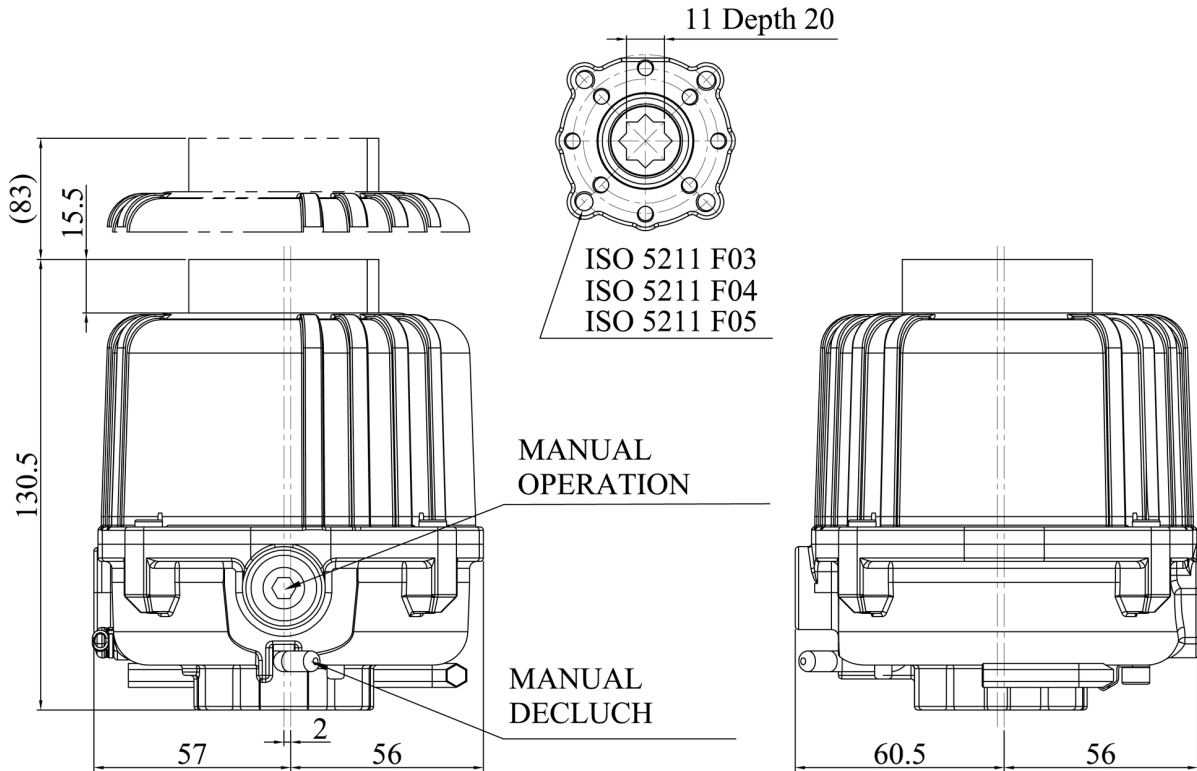
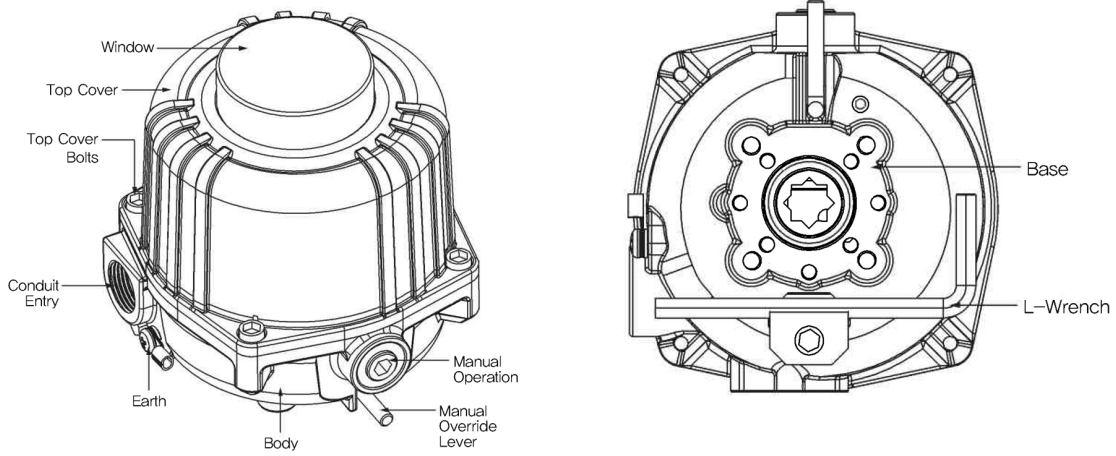
Type	Max torque Nm	Op. time sek 90° 50Hz/60Hz	Square drive	Weight kg	No. of handle turns	Current draw max. A 1-ph 24VAC	Current draw max. A 24VDC	Current draw max. A 1-ph 110V	Current draw max. A 1-ph 230V
RCEL003	30	8	11	1,5	6	0,8	0,8	0,4	0,2

### Standard Specification

<b>Enclosure:</b>	IP67 Nema 4 and 6
<b>Ambient Temp:</b>	-20 °C to +70 °C
<b>Power Supply:</b>	110/230VAC, 1Phase ±10 % 24VDC (Option: 24VAC). 50Hz/60Hz
<b>Limit Switches:</b>	Open/Close, 2+2 pcs
<b>Travel Angle:</b>	90° ± 5°
<b>Indicator:</b>	Continuous Position Indicator Illuminated at fully open or fully closed position
<b>Manual Override:</b>	Allen key (6mm)
<b>Gear train:</b>	Permanently lubricated
<b>Space Heater:</b>	2x1,5W (110/230VAC & 24VDC) Anti-condensation
<b>Conduit Entry:</b>	M20 x 1,5
<b>Lubrication:</b>	Grease Moly (EP-type)
<b>Materials:</b>	Steel, Aluminium Alloy, Al Bronze
<b>External coating:</b>	Anodized and Dry Powder Polyester



**RCEL 003**



Ref No 726 / Art No 980726

We reserve the right to make changes without notice.

[www.rotork.com](http://www.rotork.com)



Rotork Sweden AB  
Box 80  
Kontrollvägen 15  
SE-791 22 Falun  
Sweden  
Tel +46 (0)23 587 00  
Fax +46 (0)23 587 45  
[www.rotork.com](http://www.rotork.com)  
[falun.info@rotork.com](mailto:falun.info@rotork.com)