

## BELLOW SEALED GLOBE VALVES



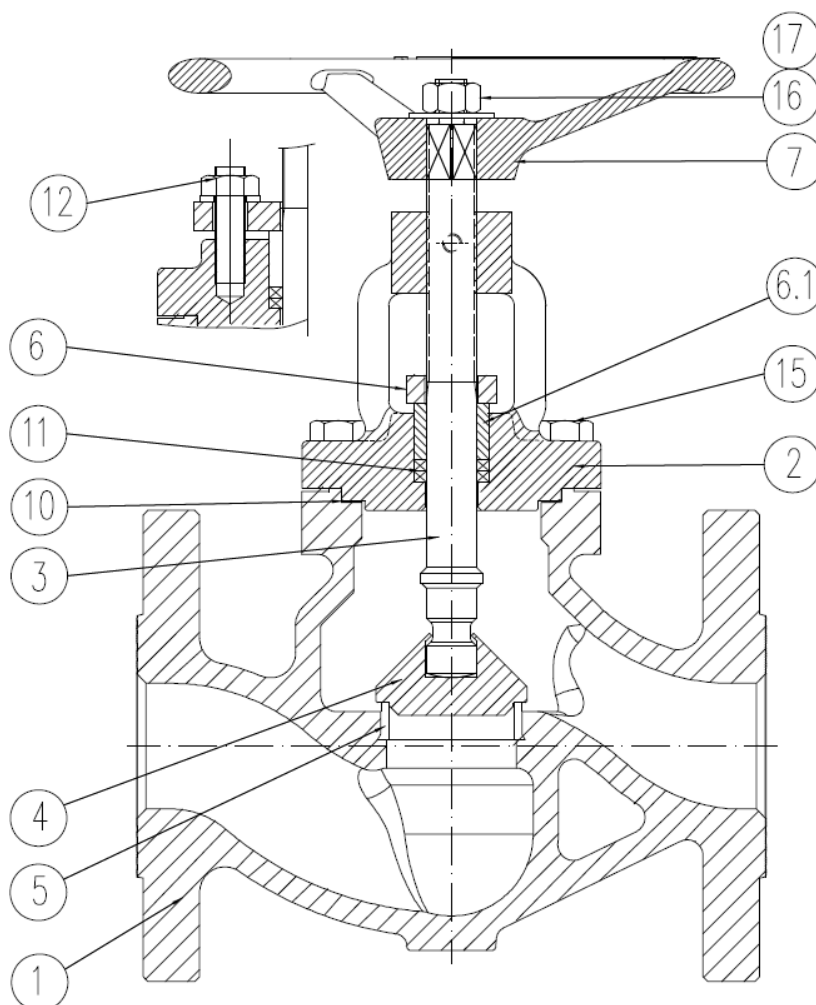
## GLOBE VALVES



Figure	Type	Nominal pressure	Material	Nominal size
GV116	Globe valve	PN16	Cast Iron	DN15 ~200
GV340	Globe valve	PN40	Carbon Steel	DN15 ~200
BGV116	Bellow sealed globe valve	PN16	Cast Iron	DN15 ~200
BGV216	Bellow sealed globe valve	PN16	Nodular Cast iron	DN65 ~200
BGV225	Bellow sealed globe valve	PN25	Nodular Cast iron	DN15 ~200
BGV340	Bellow sealed globe valve	PN40	Carbon Steel	DN15 ~200
BGV416	Bellow sealed globe valve	PN16	Stainless Steel	DN65 ~100
BGV440	Bellow sealed globe valve	PN40	Stainless Steel	DN15 ~50



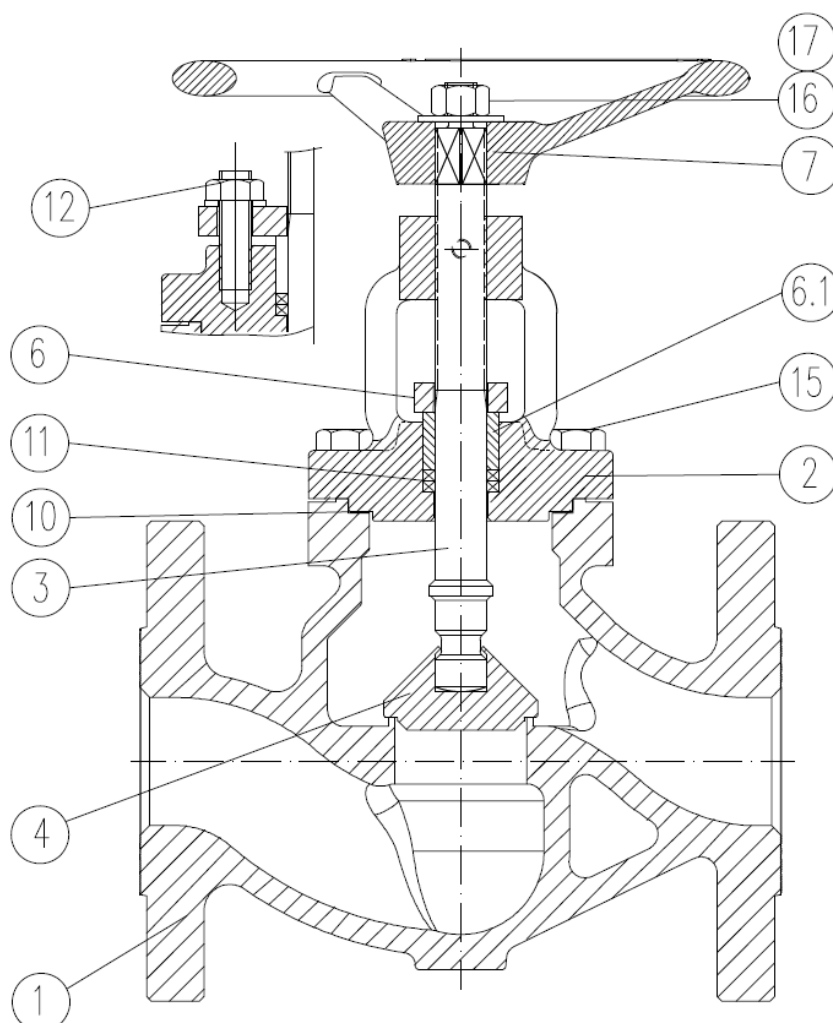
# GLOBE VALVE FIG.GV116 (PN16) Parts and materials



**Fig. GV116 (PN16)**

Item	Description	Material	
		DN15 to DN50	DN65 to DN200
1	Body	EN-GJL-250	
2	Bonnet	1.0619	EN-GJL-250
3	Spindle	1.4373	
4	Disc	X 20 Cr 13	
5	Seat	X 4 CrNi 13 4	
6	Gland	S 235 JR + ZP	
6.1	Gland Retainer	1.1191 + ZP	
7	Handw heel	A 216 Gr. WCB	
10	Gasket	GRAPHITE	
11	Packing	GRAPHITE	
12	Gland Bolts	8.8	
15	Bolts	8.8	
16	Handw heel nut	A2	
17	Washer	A2	

# GLOBE VALVE FIG.GV340 (PN40) Parts and materials



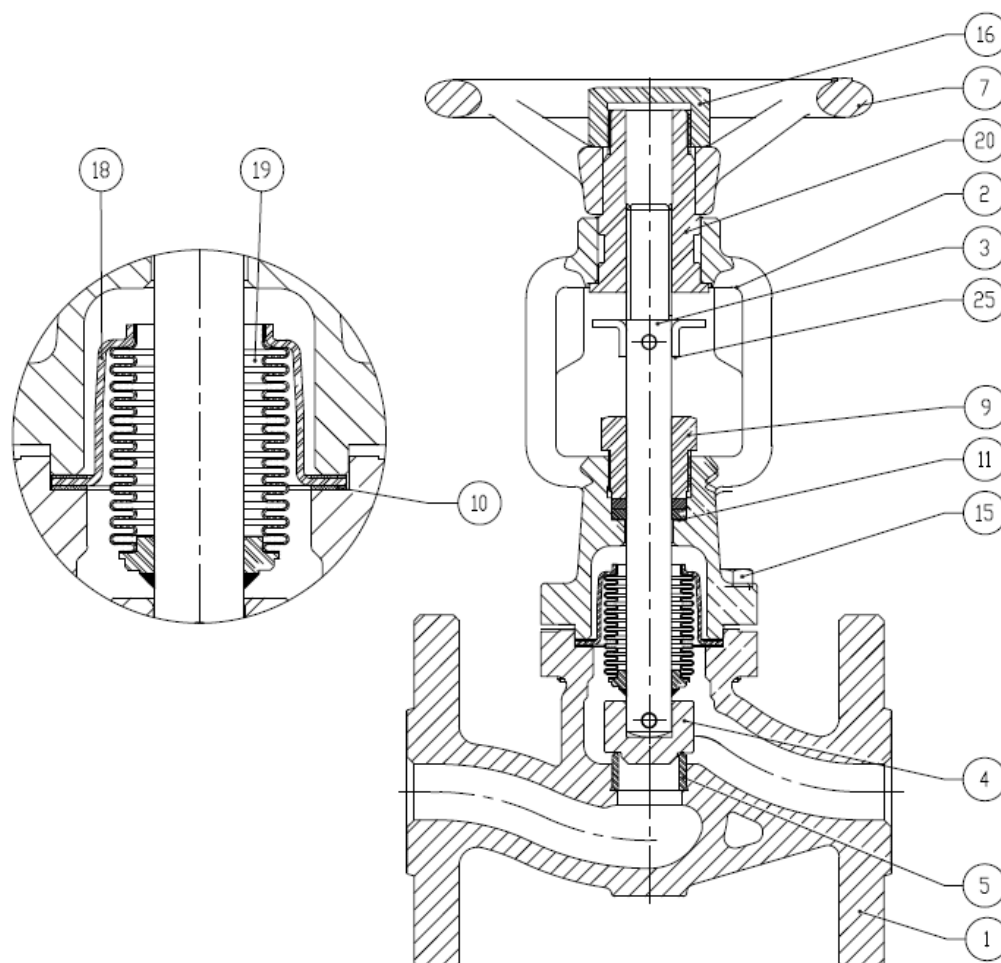
**Fig. GV340 (PN40)**

Item	Description	Material DN15 to DN200
1	Body	1.0619
2	Bonnet	1.0619
3	Spindle	1.4373
4	Disc	X 20 Cr 13
5	Seat	X 4 CrNi 13 4
6	Gland	S 235 JR+ZP
6.1	Gland Retainer	1.1191 + ZP
7	Handw heel	A 216 Gr. WCB
10	Gasket	GRAPHITE
11	Packing	GRAPHITE
12	Gland Bolts	8.8
15	Bolts	A 193 B7M
16	Handw heel nut	A2
17	Washer	A2

# BELLOW SEALED GLOBE VALVE

## FIG.BGV116 (PN16)

### Parts and materials

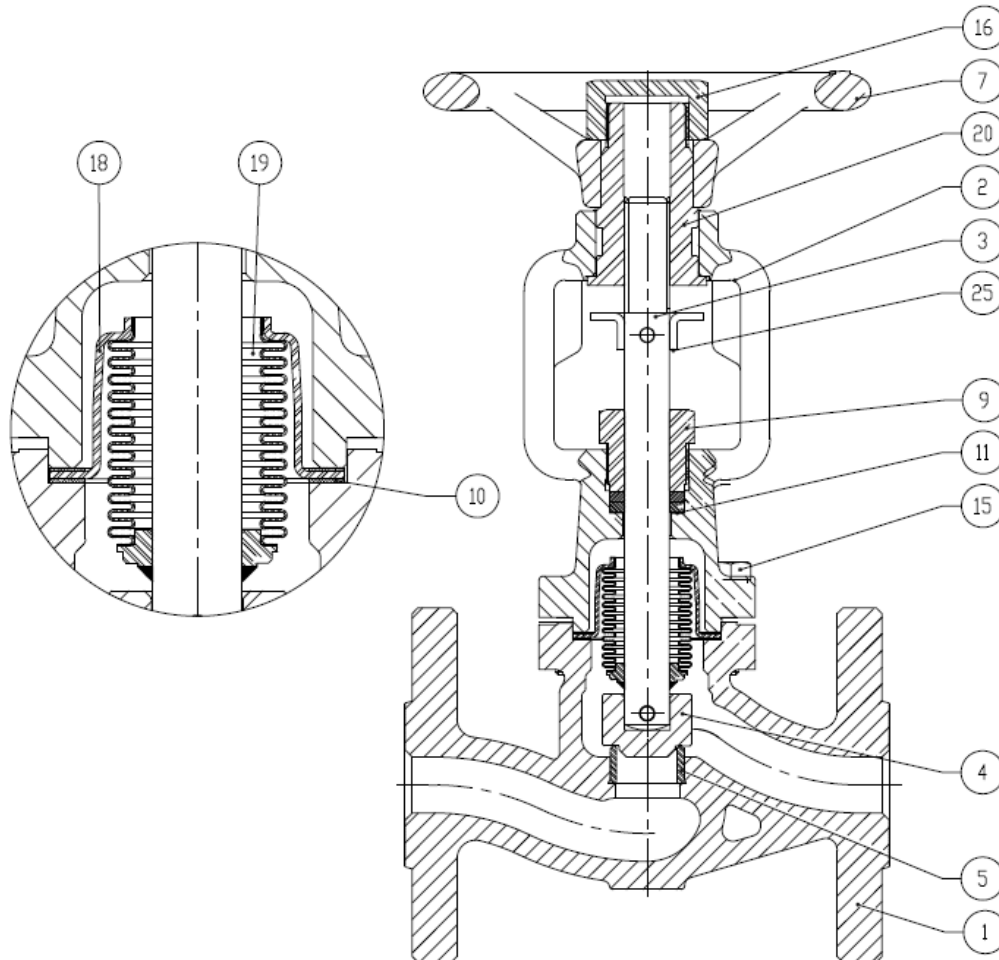


**FIG. BGV116 (PN16)**

Item	Description	Material	
		DN15 to DN50	DN 65 to DN 200
1	Body		EN-GJL-250
2	Bonnet	1.0619	EN-GJL-250
3	Spindle		1.4301
4	Disc		X 20 Cr 13
5	Seat		X 4 CrNi 13 4
7	Handwheel		A 216 Gr. WCB
9	Gland Nut		1.1191 + ZP
10	Gasket		GRAPHITE
11	Packing		GRAPHITE
15	Bolts		8.8
16	Handwheel nut		1.1191 + ZP
18	Hood		1.4301
19	Bellow		1.4301
20	Threader Bushing		1.1191+HT65+ENP
25	Anti Turn Device		S235JR+ZP

# BELLOW SEALED GLOBE VALVE FIG.BGV216 (PN16)

## Parts and materials



**Fig. BGV216 (PN16)**

Item	Description	Material DN65 to DN200
1	Body	EN-GJS-400-18
2	Bonnet	EN-GJS-400-18
3	Spindle	1.4301
4	Disc	X 20 Cr 13
5	Seat	X 4 CrNi 13 4
7	Handw heel	A 216 Gr. WCB
9	Gland Nut	1.1191+ZP
10	Gasket	GRAPHITE
11	Packing	GRAPHITE
15	Bolts	A 193 B7M
16	Handw heel nut	1.1191+ZP
18	Hood	1.4301
19	Bellow	1.4301
20	Threader Bushing	1.1191+HT65+ENP
25	Anti Turn Device	S235JR+ZP

# BELLOW SEALED GLOBE VALVE FIG.BGV225 (PN25) Parts and materials

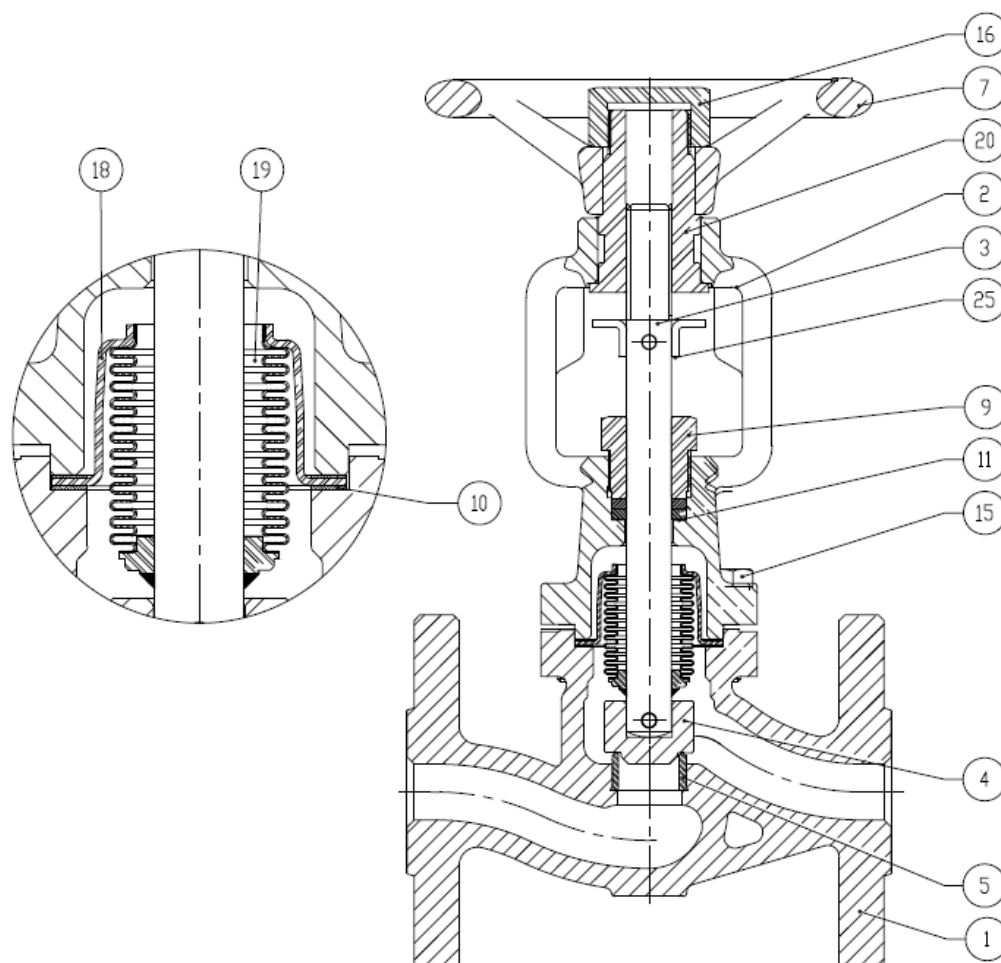
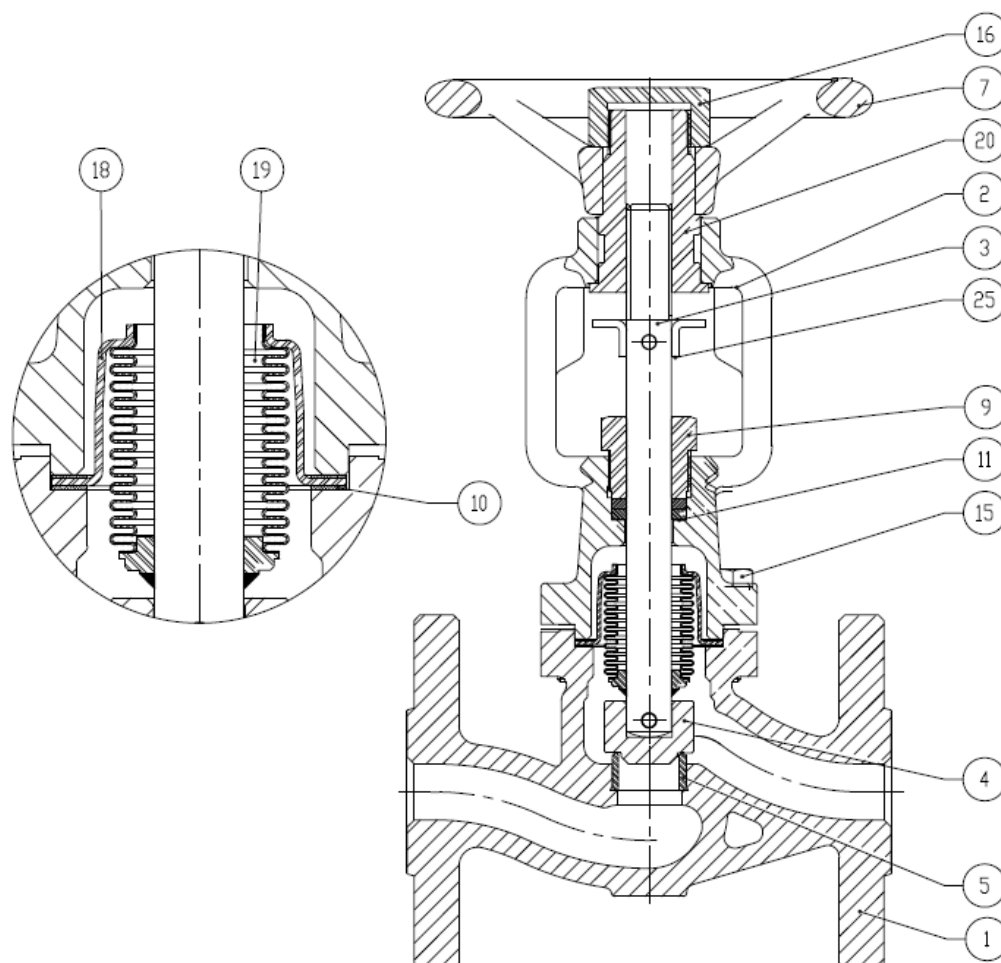


Fig. BGV225 (PN25)

Item	Description	Material	
		DN15 to DN50	DN 65 to DN 200
1	Body		EN-GJS-400-18
2	Bonnet	1.0619	EN-GJS-400-18
3	Spindle		1.4301
4	Disc		X 20 Cr 13
5	Seat		X 4 CrNi 13 4
7	Handwheel		A 216 Gr. WCB
9	Gland Nut		1.1191 + ZP
10	Gasket		GRAPHITE
11	Packing		GRAPHITE
15	Bolts		A 193 B7M
16	Handwheel nut		1.1191+ZP
18	Hood		1.4301
19	Bellow		1.4301
20	Threader Bushing		1.1191+HT65+ENP
25	Anti Turn Device		S235JR+ZP

# BELLOW SEALED GLOBE VALVE FIG.BGV340 (PN40) Parts and materials



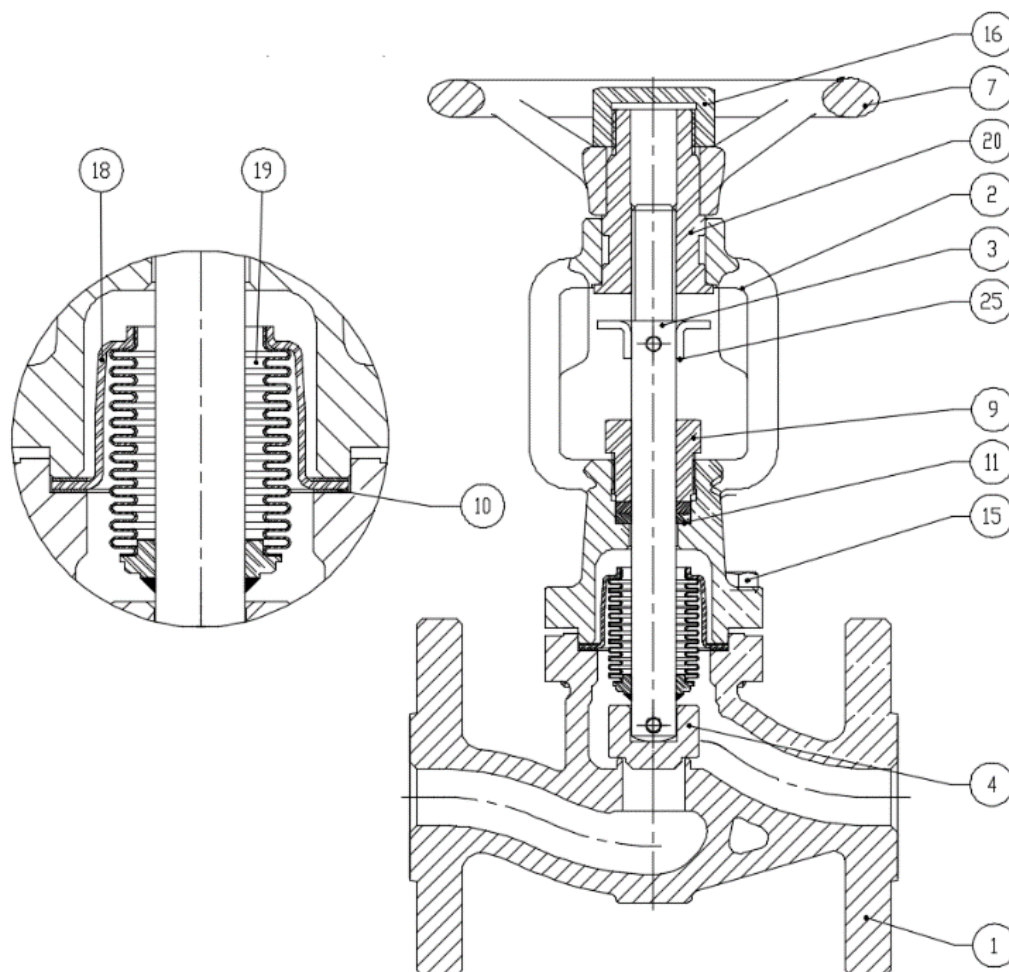
**Fig. BGV340 (PN40)**

Item	Description	Material DN15 to DN200
1	Body	1.0619
2	Bonnet	1.0619
3	Spindle	1.4301
4	Disc	X 20 Cr 13
5	Seat	X 4 CrNi 13 4
7	Handw heel	A 216 Gr. WCB
9	Gland Nut	1.1191+ZP
10	Gasket	GRAPHITE
11	Packing	GRAPHITE
15	Bolts	A 193 B7M
16	Handw heel nut	1.1191+ZP
18	Hood	1.4301
19	Bellow	1.4301
20	Threader Bushing	1.1191+HT65+ENP
25	Anti Turn Device	S235JR+ZP

# BELLOW SEALED GLOBE VALVE

## FIG.BGV416 (PN16)

### Parts and materials

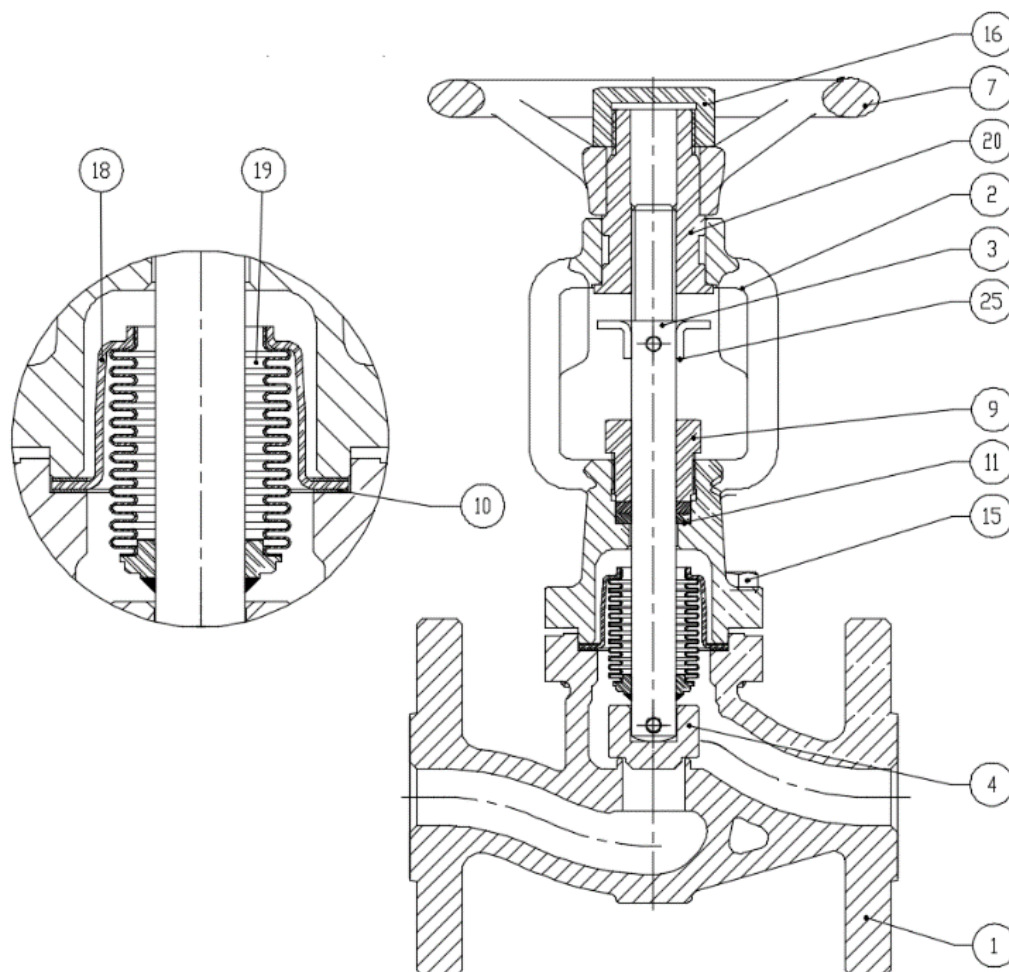


**FIG. BGV416 (PN16)**

Item	Description	Material DN65 to DN100
1	Body	1.4408
2	Bonnet	1.4408
3	Spindle	1.4401
4	Disc	1.4401
7	Hand wheel	A 216 Gr. WCB
9	Gland Nut	1.4401
10	Gasket	GRAPHITE
11	Packing	GRAPHITE
15	Bolts	A4-70
16	Hand wheel nut	1.4401
18	Hood	1.4401
19	Bellow	1.4401
20	Threader Bushing	X20 Cr13+HT65
25	Anti Turn Device	1.4401



# BELLOW SEALED GLOBE VALVE FIG.BGV440 (PN40) Parts and materials



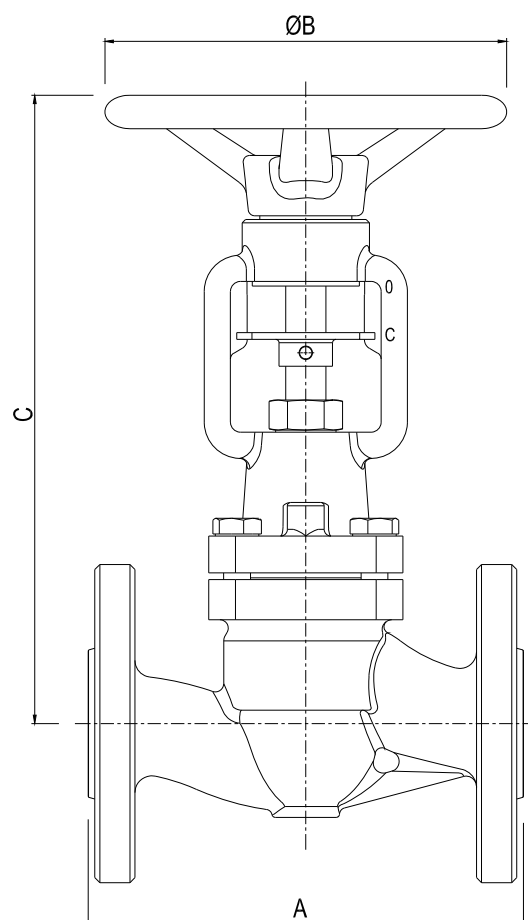
**FIG. BGV440 (PN40)**

Item	Description	Material DN15 to DN50
1	Body	1.4408
2	Bonnet	1.4408
3	Spindle	1.4401
4	Disc	1.4401
7	Hand wheel	A 216 Gr. WCB
9	Gland Nut	1.4401
10	Gasket	GRAPHITE
11	Packing	GRAPHITE
15	Bolts	A4-70
16	Hand wheel nut	1.4401
18	Hood	1.4401
19	Bellow	1.4401
20	Threader Bushing	X20 Cr13+HT65
25	Anti Turn Device	1.4401



## BELLOW SEALED GLOBE VALVES

### General dimensions, Kv & Weight



DN	A	C	ØB	Kv	Weight					
					BGV116	BGV216	BGV225	BGV340	BGV416	BGV440
15	130	190	120	3,8	3,2	--	3,2	3,7	--	3,7
20	150	195	120	7	4,4	--	4,4	4,8	--	4,8
25	160	220	140	10	4,8	--	4,8	6,8	--	6,8
32	180	219	140	19	6,1	--	6,3	7,8	--	7,8
40	200	256	180	35	11	--	11	13	--	13
50	230	265	180	43	13	--	13	15,5	--	15,5
65	290	328	200	60	21	21,3	21,3	23	21	--
80	310	341	200	110	26,4	26,4	27	28	26,4	--
100	350	376	250	146	40	40	41	43	40	--
125	400	488	400	210	53,5	53,5	54,5	68	--	--
150	480	531	400	300	81	84	85	100	--	--
200	600	685	400	670	154	157	162	202	--	--

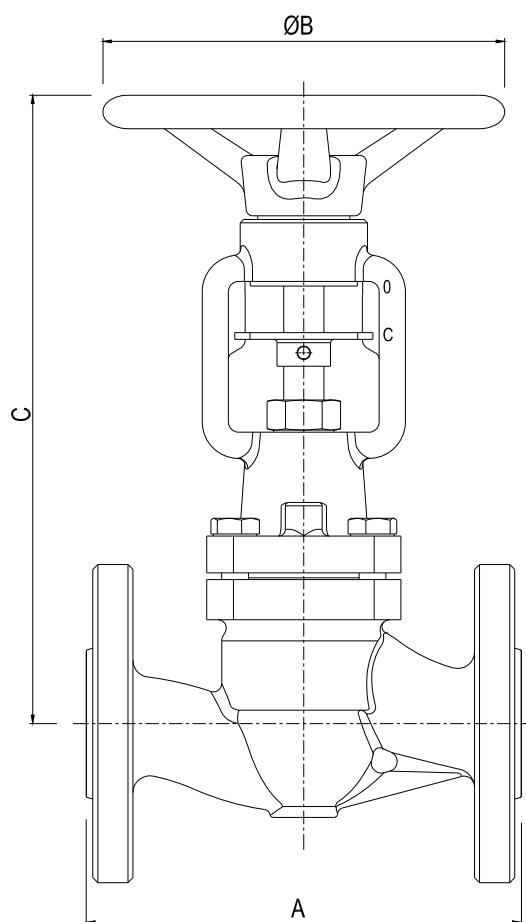
(\*) Dimensions in mm and weight in kg.

#### Note:

Dimensions not subject to International Standards can vary in  $\pm 10\%$ . ICP reserves the right to change those dimensions without notice, due to they do not affect integrity and performance of the valves.

# GLOBE VALVES

## General dimensions, Kv & Weight



DN	A	C(1)	ØB	Kv	Weight	
					GV116	GV340
15	130	155	120	4	3	3,5
20	150	160	120	7	3,9	4,3
25	160	180	140	11	4,3	6,3
32	180	180	140	19	5,6	7,3
40	200	220	180	30	10,5	12,5
50	230	230	180	46	12,5	15
65	290	280	200	70	20,5	22,5
80	310	285	200	115	26	27,5
100	350	315	250	150	39	42
125	400	523	400	220	52,5	67
150	480	541	400	310	80	99
200	600	699	400	675	152	200

(\*) Dimensions in mm and weight in kg.

(1) Closed valve.

**Note:**

Dimensions not subject to International Standards can vary in  $\pm 10\%$ . ICP reserves the right to change those dimensions without notice, due to they do not affect integrity and performance of the valves.

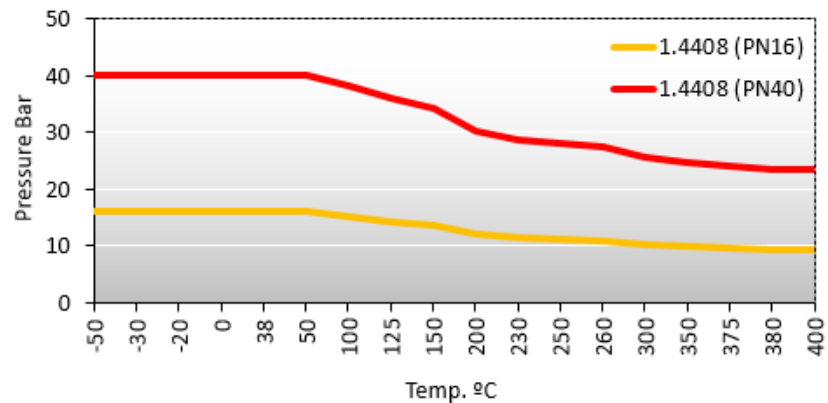
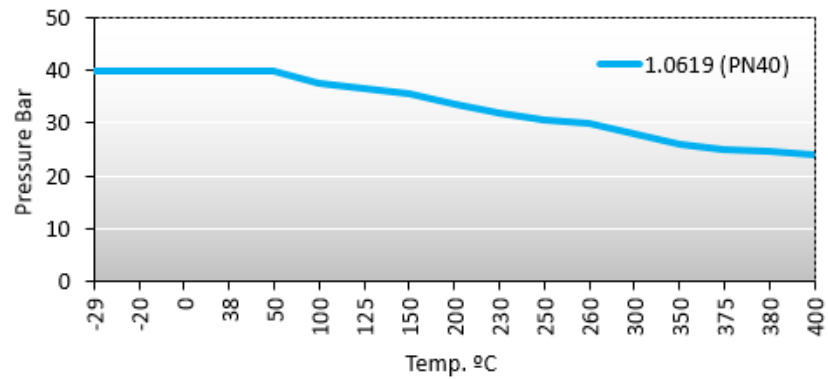
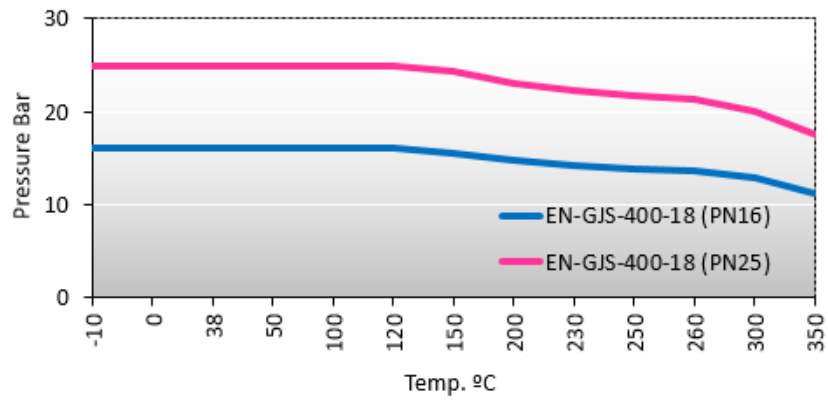
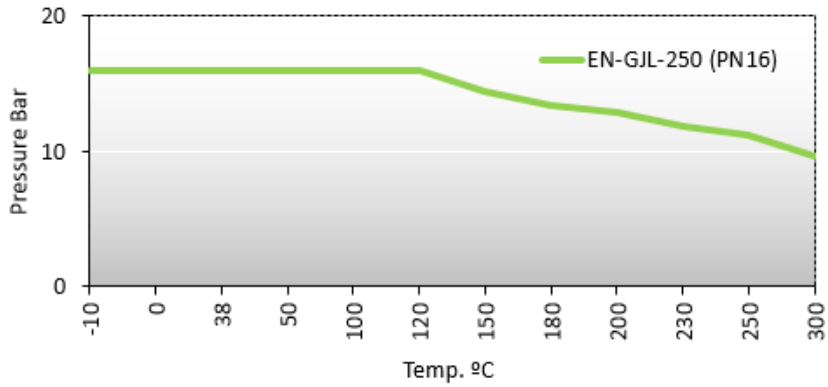


## Disc Constructions (Under request)

DN 15 TO DN 65	DN 80 TO DN 150	DN 200
STANDARD DISC		
TYPE A (THROTTLING PLUG)		
TYPE B (DISC WITH SOFT SEAT)		
TYPE C (THROTTLING PLUG + SOFT SEAT)		



# P&T Charts





## Characteristics, Features

Figure	Type	Nominal pressure	Material	Nominal size	Flange dimensions
GV116	Globe valve	PN16	EN-GJL-250	DN15 ~200	EN 1092-2
GV340	Globe valve	PN40	1.0619	DN15 ~200	EN 1092-1
BGV116	Bellow sealed globe valve	PN16	EN-GJL-250	DN15 ~200	EN 1092-2
BGV216	Bellow sealed globe valve	PN16	EN-GJS-400-18	DN65 ~200	EN 1092-2
BGV225	Bellow sealed globe valve	PN25	EN-GJS-400-18	DN15 ~200	EN 1092-2
BGV340	Bellow sealed globe valve	PN40	1.0619	DN15 ~200	EN 1092-1
BGV416	Bellow sealed globe valve	PN16	1.4408	DN65 ~100	EN 1092-1
BGV440	Bellow sealed globe valve	PN40	1.4408	DN15 ~50	EN 1092-1

Valve Design	EN 12516-1, AD-B0 to AD-B10
Flange dimensions	EN 1092
Face to Face Dimensions	EN 558 Series 1
Visual Inspection	MSS SP-55
Marking	EN 19
Pressure testing	EN 12266-1

### Features:

- Double Wall bellows
- Non rising spindle
- Environment friendly
- Limit switch (optional)
- Different disc constructions (See page 12)
- Approvals (TRCU, PED, ATEX)